

GRUPO **AUTOMOTIVE**
PARTES ELÉCTRICAS



BOMBAS DE AGUA

OBTÉN

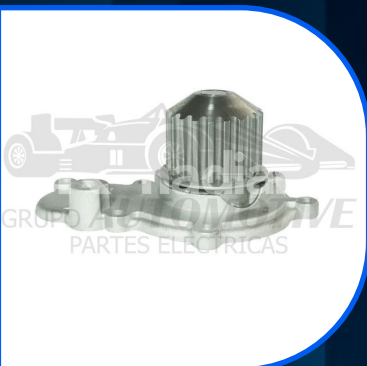
10% - **5%**
DESCUENTO **DESCUENTO**

PROMOCIÓN VÁLIDA DEL **01 AL 30 DE JUNIO** DEL 2025



PRECIOS + IVA. SUJETOS A CAMBIO SIN PREVIO AVISO. NO APLICA CON OTRAS PROMOCIONES.

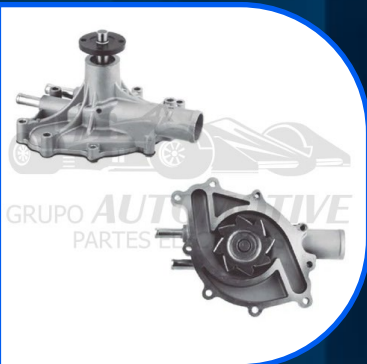
10%
DESCUENTO



P996
B09969

BOMBA DE AGUA CHRYSLER BREEZE 16VALV L4 2.0L 121 1996; NEON 16VALV L4 2.0L 122 99-05; STRATUS 16VALV L4 2.0L 122 95-03; STRATUS DOHC 16VALV L4 2.4L 150 93-97; STRATUS R/T TURBO DOHC 16VALV L4 2.4L 150 96-03; MITSUBISHI ECLIPSE SPYDER S/TURBO L4 2.0L 122 98-00; P-996/971 B-971 CP150 AW7150

\$259.60



P861
B86102

BOMBA DE AGUA FORD MICROBUS FUEL INJECTION V8 302, 351; F-250 V8 5.0L 302 95-97; F-250 FI V8 5.8L 351 87-97; F-350 FI V8 5.8L 351 87-97; MICROBUS FI V8 5.8L 351 87-97. P-861 B-861 CP4044 AW4044

\$511.50



P2416
B24165

BOMBA DE AGUA MITSUBISHI ECLIPSE V6 3.0L 181 03-06; ECLIPSE GT V6 3.8L 252 06-07; ENDEAVOR V6 3.8L 252 04-06; GALANT V6 3.0L 183 99-03; GALANT V6 3.0L 181 03-06; MONTERO 4X4 V6 3.8L 252 04-06; CHRYSLER CIRRUS TURBO 24VALV V6 2.5L 153 95-00; SEBRING 16VALV V6 2.5L 150 97-05. P-2416 B-2416 CP7152 AW7152

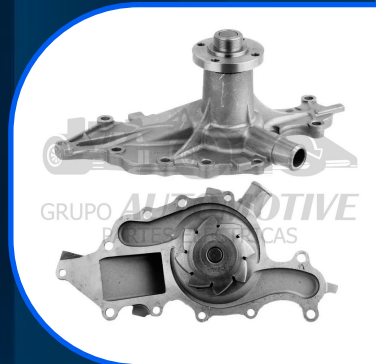
\$368.50



P972
B25126

BOMBA DE AGUA CHRYSLER ATOS L4 1.0L 1000CC 00-03; HYUNDAI ATOS L4 1.1L 1100CC 05-07. P-972 US8935 AW8935 25100-02512

\$227.70



P867
B08674

BOMBA DE AGUA FORD AEROSTAR V6 3.0L RANGER V6 86-94 P-867 B-867 CP4039 AW4039

\$433.40



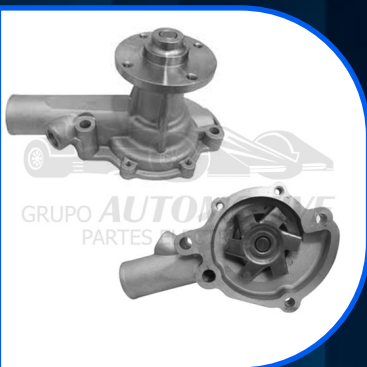
21010-53J00
B10538

BOMBA DE AGUA NISSAN 200SX L4 95-98; SENTRA L4 2.0L 98-01; NX Coupé 2.0L 91-93; ALMERA 2000 16VALV 97-00 INFINITI G20 L4 99-02. 16213 GWN-48A NISSAN-011 P2379

\$211.20



10%
DESCUENTO



P2040
B13220

BOMBA DE AGUA NISSAN DATSUN MOTOR J (SAKURA, SAMURAI) 1.5L 68-77, 1.6L 70-88, 1.8L, ESTAQUITAS HASTA 92 AW9179

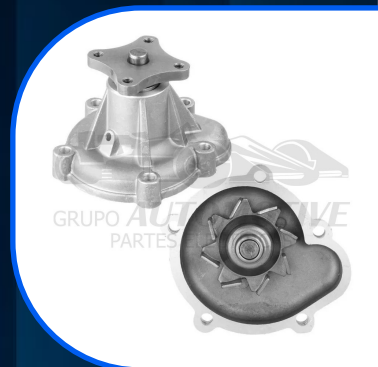
\$250.80



P2453
B24532

BOMBA DE AGUA NISSAN (2389) ALTIMA 16VALV L4 2.4L 2389CC 93-01; XTERRA 16VALV L4 2.4L 2389CC 00-02. P-2453 B-2453 CP9270 AW9270 21010-1E400

\$216.70

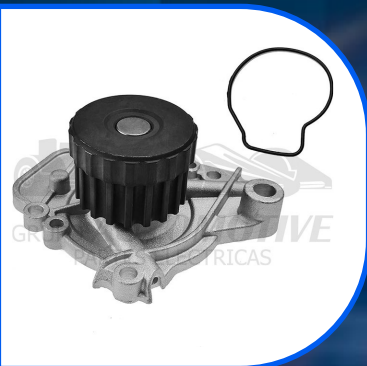


P2195
B21955

BOMBA DE AGUA NISSAN SENTRA 4CIL 1.6L 1600CC 1992, TSURU I 4CIL 1.5L 1500CC 84-86, TSURU I 4CIL 1.6L 1600CC 86-87, TSURU SEDAN VAGONETA, 310 4CIL 1.5L 1982, SAMURAI, ICHI VAN CARGA, SAKURA 84-87 MOTOR E 1500,1600,1800CC. P-2195 CP9041 AW9041 21010-B17G1 OFERTA

\$154.00

5%
DESCUENTO



AW9419
B94194

BOMBA DE AGUA ACURA EL 4CIL 1.7L 01-05; HONDA CIVIC 4CIL 1.7L 01-05. 19200-PLM-A01 WP-9207 P9207 US9419 131-2271 135-2420.

\$250.80



P2154
B21546

BOMBA DE AGUA AUDI A1 2011-2012 4CIL 1.4L P-2154 AW1816

\$233.20



5%
DESCUENTO

AW6807
B68074

BOMBA DE AGUA AUDI A3 4CIL 1.8L 15-16; A3 4CIL 2.0L 17-20; A3 QUATTRO 4CIL 2.0L 15-20; A4 4CIL 2.0L 17-20; A4 ALLROAD 4CIL 2.0L 17-20; A4 QUATTRO 4CIL 2.0L 17-20; A5 QUATTRO 4CIL 2.0L 18-20; A5 SPORTBACK 4CIL 2.0L 18-20; A6 4CIL 2.0L 16-18; A6 QUATTRO 4CIL 2.0L 16-20; Q3 4CIL 2.0L 19-20; Q7 4CIL 2.0L 17-20; S3 4CIL 2.0L 15-20; TT QUATTRO 4CIL 2.0L 16-20; VOLKSWAGEN GOLF 4CIL 2.0L 15-19. 20131-2517 WP-2649.



\$319.00

12657197
B97718

BOMBA DE AGUA BUICK REGAL 4CIL 2.0L 14-19, CADILLAC ATS 2L 4CIL 13-19, ATS 2.5L 4CIL 13-17, CTS 2L 4CIL 14-19, CHEVROLET CAMARO 4CIL 2.0L 16-18, COLORADO 4CIL 2.5L 15-19, EQUINOX 4CIL 2.0L 18-19, IMPALA 4CIL 2.5L 14-19, MALIBU 4CIL 2.0L 13-18, MALIBU 2.5L 4CIL 13-15, TRAVERSE 4CIL 2.0L 18-19, GMC ACADIA 4CIL 2.5L 17-19, CANYON 4CIL 2.5L 15-19, TERRAIN 4CIL 2.0L 18-19. 130-2090 AW6750



\$411.40

19180610
B18618

BOMBA DE AGUA CADILLAC CTS V8 6.2L 09-15, CHEVROLET CAMARO V8 6.2L 12-15, CORVETTE V8 6.2L 09-13, CORVETTE V8 7.0L 09-13, PONTIAC G8 V8 6.2L 2009. 130-2150.



\$1,285.90

06L 121 111 H
B93513

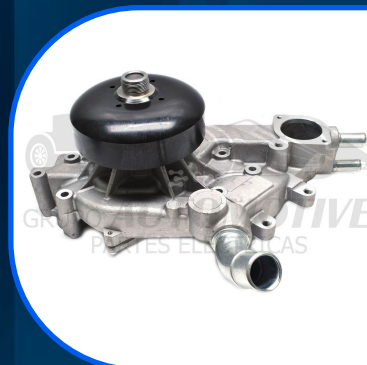
BOMBA DE AGUA COMPLETA AUDI A3 4CIL 1.4L 15-17, A3 4CIL 1.8L 15-16, A3 4CIL 2.0L 15-17, A3 QUATTRO 4CIL 2.0L 15-17, A4 4CIL 2.0L 2017, A4 ALLROAD 4CIL 2.0L 2017, A4 QUATTRO 4CIL 2.0L 2017, A6 4CIL 1.8/ 2.0L 16-17, A6 V6 3.0L 2016, A6 QUATTRO 4CIL 2.0L 16-17, A6 QUATTRO V6 3.0L 2017, Q7 4CIL 2.0L 2017, S3 4CIL 2.0L 15-17, TT QUATTRO 4CIL 2.0L 16-17, VOLKSWAGEN GOLF 4CIL 1.8L 16-17, GOLF ALLTRACK 4CIL 1.8L 2017, GOLF R 4CIL 2.0L 15-17, GOLF SPORTWAGEN 4CIL 1.8L 15-17, GTI 4CIL 2.0L 16-17, BEETLE, PASSAT, POLO, TIGUAN, SHARAN, TOUAREG, PORSCHE MACAN. V15-99-2107. CONECTOR 5 TERMINALES.



\$2,579.50

P692
B69209

BOMBA DE AGUA CADILLAC 02-03; HUMMER 2003; CHEVROLET AVALANCHE V8 5.3L 327 01-06; CARGO VAN G-30 V8 5.3L 327 98-02; HUMMER H2 V8 6.0L 366 05-07; PICK UP SS400 V8 5.3L 327 03-05; SIERRA PICK UP V8 4.8L 294 06-07, V8 5.3L 327 06-07 Y V8 6.0L 366 06-07; SILVERADO 2500 V8 4.8L 294 00-06, V8 5.3L 327 00-06 Y V8 6.0L 366 00-06; SONORA V8 5.3L 327 02-05; SUBURBAN V8 5.3L 327 02-05; TAHOE V8 5.3L 327 06-07; YUKON V8 5.3L 327 06-07. CP5087 AW5087



\$1,394.80

P9107
B50795

BOMBA DE AGUA CADILLAC/-CHEVROLET/SAAB CATERA VECTRA 9.5 97-03 V6 3.0 3.2L P-9107 AW5079



\$254.10



5%
DESCUENTO

MBA099048
B99481

BOMBA DE AGUA CHEVROLET AVEO 1.5L 18-22, CAVALIER 1.5L 18-22 24106088, 19373331.



\$245.30

P978
B97807

BOMBA DE AGUA CHEVROLET BONEVILLE (3.8L)1998-2005 P-978 AW5075



\$350.90

12667387
B73873

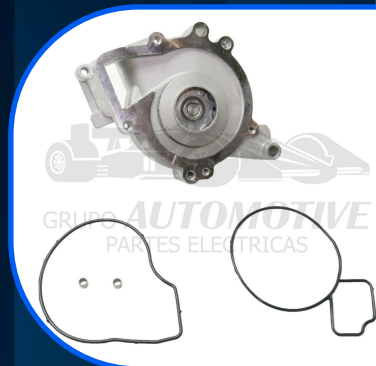
BOMBA DE AGUA CHEVROLET SPARK 4 CIL 1.4L16-18. 130-3120 US8147



\$465.30

24439798
B97982

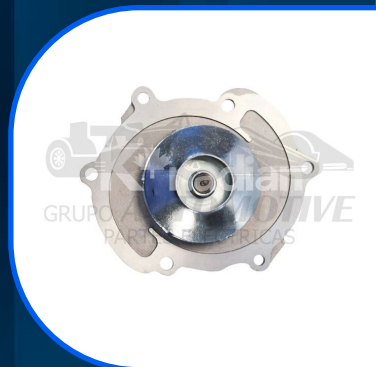
BOMBA DE AGUA CHEVROLET CAPTIVA SPORT 2012 L4-2.4L, CAVALIER 02-05 L4-2.2L, CAVALIER 05-10 L4-2.0L,2.2L, EQUINOX 10-12 L4-2.4L, HHR 08-10 L4-2.0L, HHR 06-11 L4-2.2L, HHR 06-11 L4-2.4L, MALIBU 04-08 L4-2.2L, MALIBU 08-12 L4-2.4L, GMC TERRAIN 10-12 L4-2.4L, PONTIAC G5 07-10 L4-2.2L, PONTIAC G5 07-08 L4-2.4L, PONTIAC G6 06-10 L4-2.4L, PONTIAC GRAND AM 02-05 L4-2.2L, SUNFIRE 02-05 L4-2.2L, AW5092, P5092,HQ-G143



\$356.40

P9361
B93615

BOMBA DE AGUA CHEVROLET CADILLAC Cts (2.8L) 04-07 P-9361 AW5103



\$298.10

96416294
B16726

BOMBA DE AGUA CHEVROLET SPARK 4CIL 1.2L 11-16. US984 AW6696 WP-2451 130-3110.



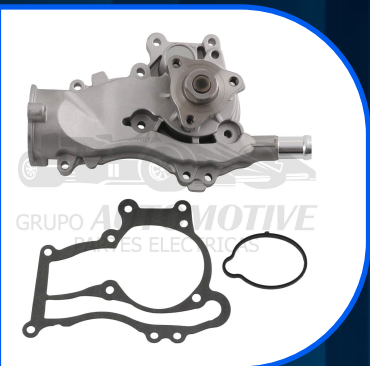
\$519.20



5%
DESCUENTO

AW6662
B62662

BOMBA DE AGUA CHEVROLET CRUZE 4CIL 1.4L 11-19, SONIC 4CIL 1.4L 12-14 / 17-19, TRAX 4CIL 1.4L 13-19. 130-2140 1334128 31-13117 43080



\$346.50

P497
B49704

BOMBA DE AGUA GM TODAS LAS APLICACIONES MOT 292 6CIL. 65-92 C/ MAZA 8 BARRENOS. P-497 AW0896



\$426.80

P657
B06577

BOMBA DE AGUA GM MONTECARLO IMPALA 262, 305, 307,350 8 CIL 69-94. P-657 AW1109



\$693.00

AW6046
B16333

BOMBA DE AGUA CHEVROLET AVEO 4CIL 1.6L 08-15, PONTIAC MATIZ G2 1.0L 03-08, G3 4CIL 1.6L 07-08, SUZUKI SWIFT 4CIL 1.6L 04-08. 130-1920 31-96101 WP325 WP-4027 P1633



\$211.20

P630
B08953

BOMBA DE AGUA GM 230,250 6 CIL. 62-81 (MAZA UNIV O BARRENOS) P-630 AW0895



\$346.50

P665
B66521

BOMBA DE AGUA GM CAPRICE, NOVA 305, 350, 400 PONTIAC, BUICK P-665 B-665 CP1121 AW1121



\$693.00



5%
DESCUENTO

P814
B81401

BOMBA DE AGUA GM
PONTIAC CAMARO 2.8L S10
BLAZER P-814 B-814 CP5006
AW5006



\$465.30

P864
B08645

BOMBA DE AGUA GM CAVALIER,
MALIBU 6CIL 2.8L 87-03, BLAZER V6
3.1L 189 94-95; CAVALIER V6 2.8L 173
90-95; CELEBRITY V6 2.8L 173 86-89;
CENTURY V6 2.8L 173 86-88; CUTLASS
V6 3.1L 189 89-96; EUROSPOORT V6 3.1L
189 89-96; EQUINOX V6 3.4L 218 04-06;
IMPALA V6 3.4L 207 00-01; MALIBU V6
3.1L 189 97-05; UPLANDER V6 3.5L 220
05-07; VENTURE V6 3.4L 207 97-05;
SILHOUETTE VAN V6 3.1L 189 90-95;
PONTIAC AZTEK V6 3.4L 207 01-05;
GRAND AM V6 3.1L 181 97-01 Y V6 3.4L
07 05-07; GRAND PRIX V6 3.1L 181 99-01
Y V6 3.4L 207 2004; G6 V6 3.5L 214
05-07. P-864 B-864 CP5033 AW5033
12577510



\$276.10

P910
B09109

BOMBA DE AGUA GM
MICROBUS, CHEVROLET
TRUCK V8 SERIES C10 C20
C30 C2500 C3500 88-95; V6
SERIES G10 G20 G30 G2500
G3500 VANS 88-95; SUBUR-
BAN V8 305, 350 B-910 (882)
CP5049 AW5049 P-910



\$676.50

P860
B08603

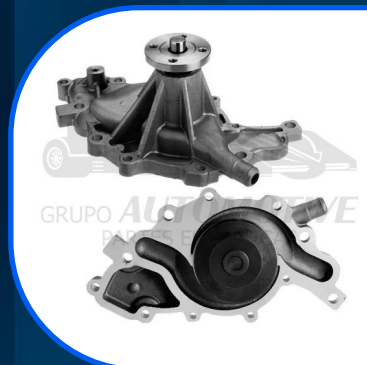
BOMBA DE AGUA GM CAVALIER
L4 2.2L 135 95-02; CAVALIER L4
2.4L 146 96-97; Z24 L4 2.4L 146
95-96; CHEV LUV L4 2.2L 122
97-98; MALIBU L4 2.4L 146
97-02; S-10 L4 2.2L 135 95-02;
PONTIAC SUNFIRE L4 2.2L 135
98-02 Y 2.4L, SONOMA 94-03 L4
2.2L, CENTURY 93-96 8VAL. L4
2.2L 146 99-02 P-860 B-860
CP5032 AW5032 24577257



\$266.20

P884
B50357

BOMBA DE AGUA GM
BLAZER S10 PICK UP V6
MOTOR 2.8L VAN SILHOUET-
TE V6 3.1L 189 90-95. P-884
B-884 CP5035 AW5035



\$563.20

P917
B91707

BOMBA DE AGUA GM BONE-
VILLE V6 3.8L 232 94-97;
TRANSAM BUICK P-917/865/
978 B-917 CP5050 AW5050N



\$313.50



5%
DESCUENTO

P968
B09680



BOMBA DE AGUA GM TAHOE V8 5.7L; CHEVROLET BLAZER V6 4.3L 262 98-02; C-35 V8 5.7L 350 98-02; C-1500 PICK UP V6 4.3L 262 99-04; C-3500 PICK UP V8 5.7L 350 99-04; CARGO VAN G-30 V8 5.7L 350 01-05; CHEYENNE V8 5.7L 350 98-02; CUSTOM PICK UP V8 5.7L 350 98-02; ESCALADE V8 5.7L 350 99-05; MICROBUS V8 5.7L 350 86-94; PICK UP SS400 V8 5.7L 350 98-02; SUBURBAN V8 5.7L 350 01-04. P-968 B-968 CP5077 AW5077

\$676.50

P1447
B14471



BOMBA DE AGUA GM ASTRA, LUV Motor (2.2L) P-1447 AW9375

\$233.20

P2061
B20615



BOMBA DE AGUA GM G5 (2.2L), (2.4L) 08, MALIBU (3.5L) 07-08 P-2061 AW6020

\$330.00

AW6009
B07671



BOMBA DE AGUA GM SILVERADO 1500, TAHOE, SAVANA, SIERRA 1500, YUKON 1500, 2500, 3500 V8 4.8L 2006=>; AVALANCHE, COLORADO, SILVERADO 1500, SUBURBAN 1500, TAHOE, TRAILBLAZER, ANYON, SAVANA 1500, SIERRA 1500, YUKON, H3, H3T 1500 XL 1500 V8 5.3L 2006 EN ADELANTE; ESCALADE, AVALANCHE, SILVERADO, SUBURBAN, SIERRA, SAVANA, TAHOE, TRAILBLAZER, SIERRA DENALI, YUKON, H2 1500 1500HD, 2500, 2500HD, 3500, 3500 HD, 4500 V8 6.0L 2006 EN ADELANTE; ESCALADE, SILVERADO, TAHOE, SIERRA, YUKON, H2 1500, 1500 XL V8 6.2L 2006 EN ADELANTE. 12600767 A-15205

\$1,394.80

P1642
B24617



BOMBA DE AGUA GM ASTRA, CORSA (POLEA 21 DIENTES) P-1642 AW1642

\$238.70

P2364
B23643



BOMBA DE AGUA GM CHEVY L4 1.4L 85 94-02; CHEVY JOY L4 1.4L 85 94-02; CHEVY PICK UP L4 1.6L 98 99-04; MONZA L4 1.4L 85 01-02; MONZA L4 1.6L 98 97-00; SWING L4 1.4L 85 94-02. P-2364 CP5057 AW5057 90444227 41080 7 7 0 2 0 5 0 4

\$234.30

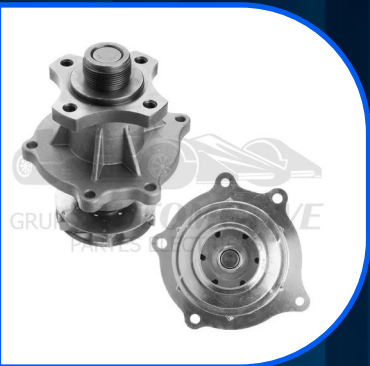


5%
DESCUENTO

P5097

B50972

BOMBA DE AGUA GM COLO-
RADO (2.8L) 2004-2005
P-5097 AW5097



\$319.00

P883

B08835

BOMBA DE AGUA GM
SAFARI VAN PICK UP S15,
GMC P-883 B-883 CP5040
AW5040



\$422.40

AW6169

B61698

BOMBA DE AGUA CHRYSLER 200
V6 3.6L 11-14, 300 V6 3.6L 11-18,
TOWN & COUNTRY V6 3.6L 11-16,
DODGE AVENGER V6 3.6L 11-14,
CHALLENGER V6 3.6L 11-18, CHAR-
GER V6 3.6L 11-18, DURANGO V6
3.6L 11-15, GRAND CARAVAN V6 3.6L
11-18, JOURNEY V6 3.6L 11-18, JEEP
GRAND CHEROKEE V6 3.6L 11-15,
RAM 1500 V6 3.6L 13-18, RAM
PROMASTER 1500, 2500, 3500 V6
3.6L 14-18, VOLKSWAGEN ROUTAN
V6 3.6L 11-14. 44020 WP-2408
1600-479731, WU8981.



\$663.30

93368514

B85141

BOMBA DE AGUA GM CORSA
L4 1798CC 03-07, MERIVA L4
1798CC 03-07, TORNADO L4
1798CC 03-07, PICK UP 1.8
MPFI 7083258 P-1619

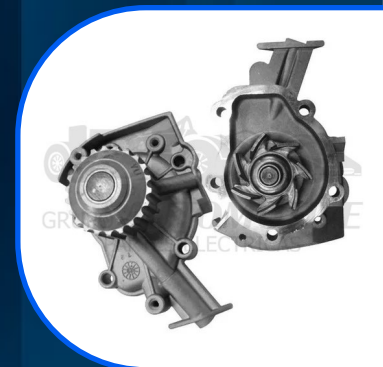


\$247.50

P1646

B16464

BOMBA DE AGUA PONTIAC
G2 MATIZ 4 CIL, 1.0 L,
2004-09 P-1646 AW1646



\$216.70

P-624

B71629

BOMBA DE AGUA CHRYSLER
300M 99-04; CONCORDE V6
3.2L 98-01; CONCORDE V6
3.5L 02-04; INTREPID V6 3.2L
98-01; INTREPID V6 3.5L
00-04; LHS 99-01; PACIFICA
V6 3.5L 04-05; INTREPID V6
3.2L 98-00.120-1350 4079
PW18-106 WP143 NP1664
WP250.



\$322.30



5%
DESCUENTO

AW6653

B65367

BOMBA DE AGUA CHRYSLER 300 8CIL 5.7L 11-21, 300 8CIL 6.4L 12-14, DODGE CHALLENGER 8CIL 5.7L 11-21, CHALLENGER 8CIL 6.4L 11-21, CHARGER 8CIL 5.7L 11-21, CHARGER 8CIL 6.4L 12-21, DURANGO 8CIL 5.7L 11-21, DURANGO 8CIL 6.4L 18-21, JEEP GRAND CHEROKEE 8CIL 5.7L 11-21, GRAND CHEROKEE 8CIL 6.4L 12-21, GRAND CHEROKEE L 8CIL 5.7L 2021.



\$965.80

53021380AK

B13803

BOMBA DE AGUA CHRYSLER DODGE DURANGO RAM 1500/3500 03-04 HQ-CR118 P9303



\$1,233.10

P898

B08982

BOMBA DE AGUA CHRYSLER SHADOW, SPIRIT L4 2.2L Y 2.5L; DAKOTA 4X2 L4 2.5L 153 1996; PHANTOM L4 2.2L 135 87-89 Y L4 2.5L 153 90-94; SHADOW TURBO L4 2.5L 153 91-94; SPIRIT TURBO L4 2.5L 135 91-95. P-898 CP7127 AW7127



\$243.10

P551

B05516

BOMBA DE AGUA CHRYSLER MOTORES 318, 340, 360 8 CIL. 70-93 S/ AIRE CORDOBA (5.2L)1980-1982 P-551 P-623 AW7103

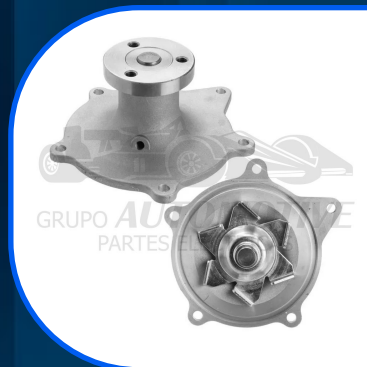


\$509.30

P897

B89700

BOMBA DE AGUA CHRYSLER FIFTH AVENUE V6 1991; TOWN & COUNTRY VAN V6 3.8L 231 94-03; VOYAGER V6 3.3L 201 91-03 / GRAND VOYAGER V6 3.8L 231 94-02; NEW YORKER V6 3.3L 201 92-94; DODGE TRUCK CARAVAN / GRAND CARAVAN/ RAM VAM 90-2000 V6; PLYMOUTH VOYAGER / GRAND VOYAGER 90-00 V6.P-897 B-897 CP7126 AW7126



\$243.10

53021187AA

B11878

BOMBA DE AGUA CHRYSLER V6 3.7L DAKOTA, RAM 1500/3500 JEEP LIBERTY V8 99-04 HQ-CR123 P927 AW7163



\$478.50



5%
DESCUENTO

AW6651
B51613

BOMBA DE AGUA CHRYSLER
PACIFICA V6 3.8L 05-08.
WP2330 US8968 120-4440
4648952AB 4648952AD.



\$416.90

04884159AA
B41594

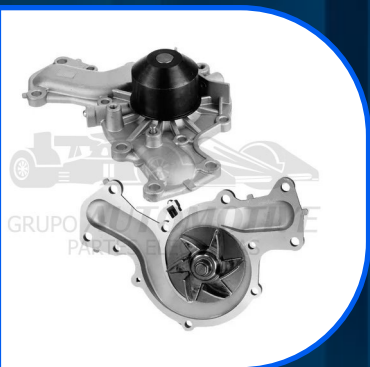
BOMBA DE AGUA CHRYSLER
PT CRUISER 2.4 L TURBO,
DODGE NEON 03-04
HQ-CR126 AW7167



\$272.80

P911
B09112

BOMBA DE AGUA CHRYSLER
VOYAGER; TOWN &
COUNTRY; NEW YORKER
P-911 B-911 CP7121 AW7121



\$309.10

P951
B09518

BOMBA DE AGUA CHRYSLER RAM
CHARGER TBI V8 5.9L 360 93-96;
RAM CHARGER FI V8 5.9L 360 94-01;
RAM 1500 PICK UP V6 3.9L 239 94-03;
RAM 2500 PICK UP V8 5.2L 318 97-03
Y V8 5.9L 360 96-02; RAM 3500 PICK
UP V8 5.9L 360 96-02; RAM 4000
PICK UP V8 5.9L 360 96-03; RAM VAN
1500 V6 3.9L 239 95-03; RAM VAN
3500 V8 5.9L 360 96-03; RAM
WAGON 1500 V6 3.9L 239 95-03; RAM
WAGON 2500 V8 5.2L 318 97-03; RAM
WAGON 3500 V8 5.9L 360 94-02;
DURANGO V8 5.2L 318 98-00 Y V8
5.9L 360 01-03; JEEP GRAND
CHEROKEE V8 5.2L 318 93-03; ; P-951
B-951 CP7160 AW7160



\$693.00

4654393
B43938

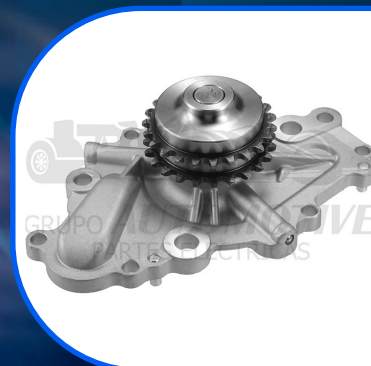
BOMBA DE AGUA CHRYSLER
CONCORDE V6 3.3L, INTREPID
STRATUS V6 93-97 HQ-CR121
P943



\$267.30

4663732AC
B37326

BOMBA DE AGUA CHRYSLER
CONCORDE V6-2.7L 98-04,
SEBRING V6 2.7L, DODGE
STRATUS V6 2.7L, INTREPID
V6 98-04 HQ-CR122 P999
AW7161



\$356.40



5%
DESCUENTO

P1982

B19827

BOMBA DE AGUA CHRYSLER/JEEP CIRRUS/CALIBER (1.8L) (2.0L) 07-08 NEW PATRIOT 07-11 4CIL 2.4L P-1982 AW6038



\$256.30

P2218

B22185

BOMBA DE AGUA CHRYSLER PICK UP RAM 500 4CIL 2.4L 2.0L; HYUNDAI BY DODGE H100 L4 2.4L 146 03-06. P-2218 B-2218 CP7114 AW7114



\$292.60

P7164

B07161

BOMBA DE AGUA CHRYSLER DODGE GRAND CHEROKEE (4.0L)1999-2005 P-7164 AW7164

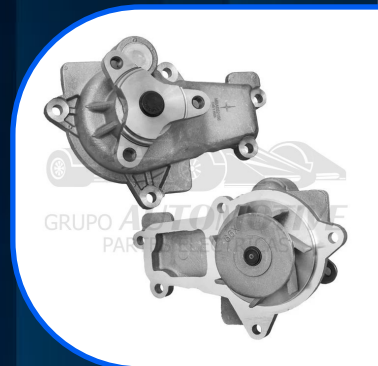


\$448.80

MBA052156

B52150

BOMBA DE AGUA CHRYSLER PACIFICA 3.8L 6CIL 2008, TOWN & COUNTRY LX 3.3L 6CIL 08-10, TOWN & COUNTRY TOURING 3.8L 6CIL 08-10, TOWN & COUNTRY TOURING PLUS 3.8L 6CIL 2010, VOYAGER BASE 3.3L 6CIL 2008, VOYAGER LX 3.3L 6CIL 2008, DODGE CARAVAN C/V 3.3L 6CIL 08-10, GRAND CARAVAN SE 3.3L 6CIL 08-10, GRAND CARAVAN SXT 3.8L 6CIL 08-10, GRAND CARVAN VALUE PACKAGE 3.8L 6CIL 2008.



\$339.90

P2422

B24224

BOMBA DE AGUA CHRYSLER CIRRUS TURBO 24VALV L4 2.4L 150 97-03; JEEP WRANGLER L4 2.4L 144 03-06; NEON SRT L4 2.4L 144 2003; PT CRUISER S/TURBO L4 2.4L 144 01-03; SEBRING 16VALV L4 2.4L 150 1997; STRATUS L4 2.4L 150 95-03. B-2422 CP7156 AW7156



\$265.10

P7165

B71658

BOMBA DE AGUA CHRYSLER TOWN & COUNTRY, VOYAGER V6 3.3L 201 01-05 Y V6 3.8L 231 01-05. CP7165 AW7165



\$287.10



5%
DESCUENTO

P826

B08265

BOMBA DE AGUA CHRYSLER
DODGE SERIE "K" (2.2L), (2.5L),
4 Cil. 81-92. P-826 AW7110



\$249.70

P930

B71598

BOMBA DE AGUA CHRYSLER,
DODGE, RAM, CHARGER,
PICK UP, 1500/2500/3500
(3.9L), (5.2L) V8 Cil. 92-00.
P-930 AW7159



\$702.90

P998

B99803

BOMBA DE AGUA CHRYSLER,
DODGE CIRRUS (2.4L)1995-
1996 P-998 AW7153

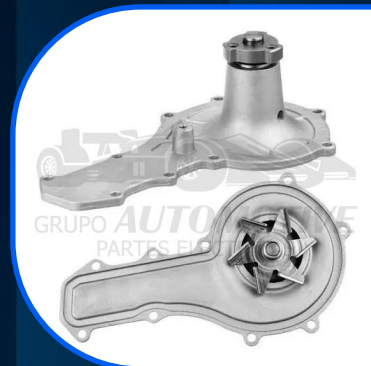


\$294.80

P896

B89608

BOMBA DE AGUA CHRYSLER
DODGE SHADOW, SPIRIT 135
(2.2L), (2.5L) 4 Cil 1989-1990
P-896 AW7122

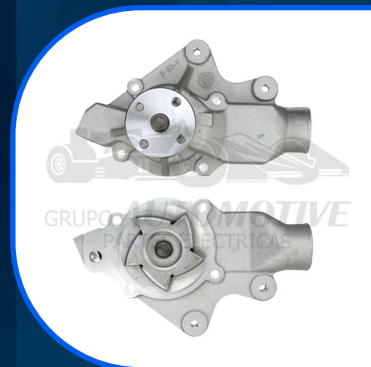


\$270.60

P932

B93206

BOMBA DE AGUA CHRYSLER
JEEP GRAND CHEROKEE 4X2 L6
4.0L 244 94-03; WRANGLER L4
2.5L 153 93-97; WRANGLER 4X4
L4 2.5L 153 93-03; JEEP WILLYS,
KAISER 4 Y 6L 91-92 P-932 B-932
CP7136 AW7136



\$416.90

P679

B67975

BOMBA DE AGUA DODGE
(531) VALIANT, VOLARE, MAQ
INCLINADA; CHRYSLER PICK
UP L6 3.7L 225 85-91 CON
PUNTERIAS HIDRAULICAS
P-679/531 B-679(531) CP7100
AW7100



\$345.40



5%
DESCUENTO

53022192AF
B21926

BOMBA DE AGUA DODGE
CAMION RAM 4000;
CHRYSLER DURANGO 2009;
ASPEN 2009. AW6341



\$1,167.10

53022340AC
B23408

BOMBA DE AGUA DODGE
MAGNUM V8 05-07; CHA-
LLenger V8 5.7L 2009, V8
6.1L 06-10; CHARGER, CHA-
RGER 2.2, SHELBY CHARGER
V8 06-09; JEEP COMMANDER
V8 5.7L 06-08; GRAND CHE-
ROKee V8 5.7L 05-09 Y V8 6.1L
06-10; CHRYSLER 300C V8
5.7L 05-09; 300 V8 6.1L 05-10.
AW6653



\$1,162.70

P545
B15867

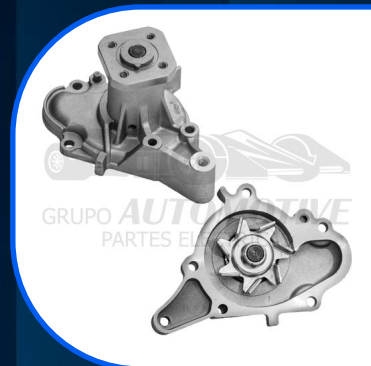
BOMBA DE AGUA FORD
FIESTA (1.3L) 1998-2000
P-545 AW1586



\$324.50

P1101
B17425

BOMBA DE AGUA DODGE
HYUNDAI I10 4L 1.1L MOTOR
EPSILON 2011-2012 P-1101
AW1742



\$222.20

P1700
B61846

BOMBA DE AGUA FIAT
PALIO (1.8L) 06-07 P-1700
AW6184



\$227.70

P546
B05469

BOMBA DE AGUA FORD
ECOSPORT, FIESTA 1.6L;
COURIER L4 1.6L 116 00-05;
FIESTA L4 1.6L 1600CC 02-05;
FIESTA, IKON L4 1.6L 1600CC
02-05; KA L4 1.6L 1600CC
00-05. P-546 B-546 CP8931
AW8931



\$207.90



5%
DESCUENTO

AW6675

B67566

BOMBA DE AGUA FORD ESCAPE 4CIL 2.3L 2008, ESCAPE 4CIL 2.5L 09-12, MERCURY MARINER 4CIL 2.3L 2008, MARINER 4CIL 2.5L 09-11, MAZDA TRIBUTE 4CIL 2.5L 09-10. 41514E, 125-3410, 902-084, WP-2391.



\$638.00

AW9449

B94499

BOMBA DE AGUA FORD ESCAPE 4CIL 1.6L 13-16, FIESTA 4CIL 1.6L 11-19, FUSION 4CIL 1.6L 13-14, TRANSIT 4CIL 1.6L 14-16. WP2157 US9472 160-2080 21111AA230 21111AA380.

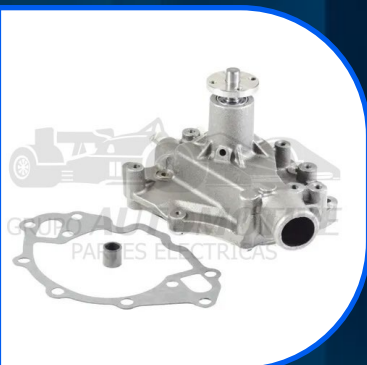


\$309.10

P548

B05485

BOMBA DE AGUA FORD FAIRMONT, MERCURY, PICK UP 302, 351; F-100 V8 5.0L 302 70-94; F-350 V8 5.0L 302 70-94; F-600 V8 5.0L 302 70-94; FAIRMONT V8 5.0L 302 70-94; GALAXIE V8 5.0L 302 70-94; GRAND MARQUIS V8 5.0L 302 70-94; LTD V8 5.0L 302 70-94; MAVERICK V8 5.0L 302 70-94. P-548 B-548B CP953 AW953



\$797.50

P831

B08312

BOMBA DE AGUA FORD GHIA L4 2.3L 140 1991; TOPAZ L4 2.3L 140 84-94 MAZA CON 3 BARRENOS P-831 CP4022 AW4022

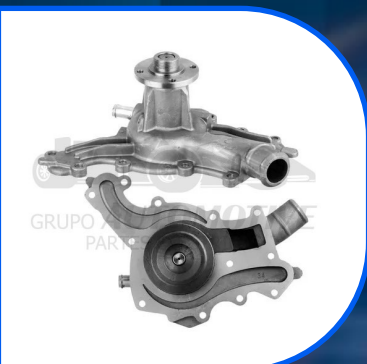


\$250.80

P868

B86844

BOMBA DE AGUA FORD BRONCO II Y RANGER 177 (2.9L) V-6 CIL. 1986-1992. P-868 AW4042

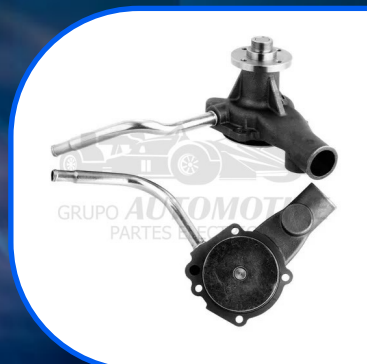


\$455.40

P877

B08776

BOMBA DE AGUA FORD E Y F 150, 350, BRONCO 300 4.9L 6CIL 87-91 P-877 B-877 CP4048 AW4048



\$557.70



5%
DESCUENTO

P878

B08789

BOMBA DE AGUA FORD
RANGER 82-94 AEROSTAR,
COUGAR 83-88 B-878
CP4054 AW4054



\$448.80

P909

B09094

BOMBA DE AGUA FORD
AEROSTAR XLT V6 4.0L 244
94-95; CLUB WAGON V6 4.0L
240 95-98; ECONOLINE
WAGON V6 4.0L 244 96-98;
EXPLORER V6 4.0L 244 90-01;
MAZDA B4000, NAVAJO V6
4.0L 90-01 P-909 B-909
CP4060 AW4060



\$595.10

P959

B40913

BOMBA DE AGUA FORD
CONTOUR V6 2.5L 153 96-00;
ESCAPE V6 3.0L 181 01-03;
MONDEO V6 2.5L 153 02-05;
MYSTIQUE 24VALV V6 2.5L
153 95-00; SABLE DOHC
24VALV V6 3.0L 181 01-04.
P-959 B-959 (953) CP4091
AW4091

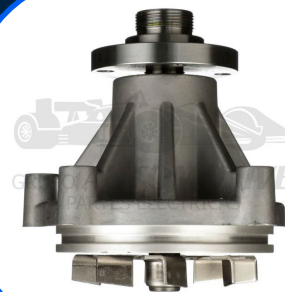


\$261.80

P905

B90543

BOMBA DE AGUA FORD
GRAND MARQUIS, CROWN
VICTORIA V8. (4.6L),
1992-2002. P-905 AW4066.

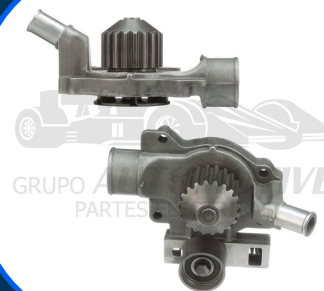


\$379.50

P913

B09138

BOMBA DE AGUA FORD
ESCORT L4 1.9L 114 94-96;
ESCORT STATION WAGON L4
1.9L 114 94-96; TRACER L4
91-96 CON POLEA DIENTE
REDONDO P-913 B-913
CP4069 AW4069



\$422.40

P960

B96002

BOMBA DE AGUA FORD
SABLE V6 3.8L 232 94-95;
WINDSTAR V6 3.8L 232 1995;
TOWN CAR V6 B-960 CP4089
AW4089



\$459.80



5%
DESCUENTO

P979

B09795

BOMBA DE AGUA FORD CLUB WAGON V6 4.2L 256 97-00; ECONOLINE WAGON V6 4.2L 256 99-03; F-150 V6 4.2L 256 98-05; FREESTAR V6 4.2L 256 04-05. P-979 B-979 CP4105 AW4105



\$485.10

F3LY-8501A

B85010

BOMBA DE AGUA FORD MUSTANG V8 4.6L 96-98, T-BIRD MERCURY COUGAR V8 94-98, LINCOLN MARK VIII V8 4.6L 93-98 HQ-F153 AW4113



\$379.50

F6TZ-8501AA

B10583

BOMBA DE AGUA FORD VAN E250/350 446 7.3L INYECCION DIRECTA, CAMIONETA SUPER DUTY , F250/350 7.3L 96-97, 00-02 AW4114, HQ-F163

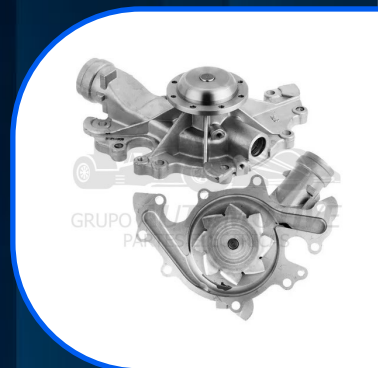


\$1,136.30

P982

B09825

BOMBA DE AGUA FORD FREESTAR V6 3.9L 04-05; WINDSTAR V6 3.8L 232 96-03. P-982/960 B-982 CP4102 AW4102



\$454.30

E6DZ-8501B

B68501

BOMBA DE AGUA FORD TEMPO , MERCURY TOPAZ 2.3L 92-94, TAURUZ, SABLE 2.5L 86-88 HQ-F159 P863



\$250.80

DS7Z8501E

B75676

BOMBA DE AGUA FORD ESCAPE 4CIL 1.5L 17-19; FUSION 4CIL 1.5L 14-20. WP-2744.



\$324.50

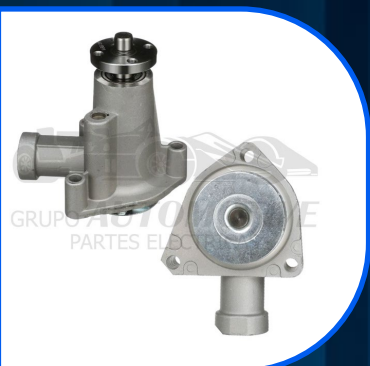


5%
DESCUENTO

P964

B09648

BOMBA DE AGUA FORD
MAZDA RANGER (2.3L)
1996-1997 P-964 AW4093



\$357.50

P966

B09664

BOMBA DE AGUA FORD
EXCURSION (6.8L) 2000-2005
P-966 AW4109

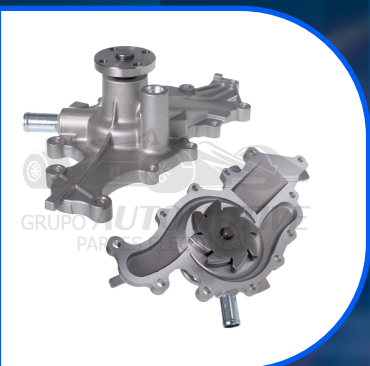


\$644.60

1F1Z-8501AA

B11852

BOMBA DE AGUA FORD
TAURUS 95-07 V6 3.0L,
TAURUS 95-00 V6 3.0L,
WINDSTAR 95-00 V6 3.0L
AW4094, P984, HQ-F165

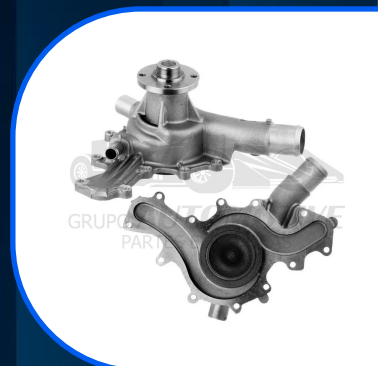


\$400.40

P965

B96509

BOMBA DE AGUA FORD
EXPLORER (4.0L) 1997-2001
P-965 AW4108

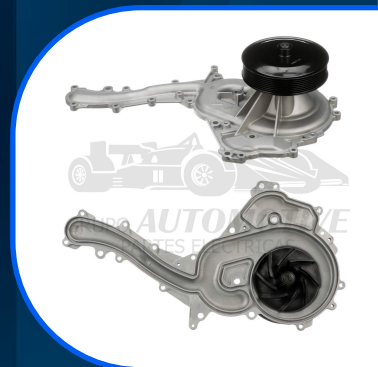


\$595.10

AW6265

B62659

BOMBA DE AGUA FORD F250
SUPER DUTY V8 6.7L 11-16,
F350 SUPER DUTY V8 6.7L
11-16, F450 SUPER DUTY V8
6.7L 11-16, F550 SUPER DUTY
V8 6.7L 11-16. WP2449 US77
BC3Z8501A.



\$1,270.50

1S7Z-8501AK

B17850

BOMBA DE AGUA FORD EDGE 2012 L4-2.0L,
FORD ESCAPE 05-08 L4-2.3L, FORD ESCAPE
09-12 L4-2.5L, FORD EXPLORER 2012 L4-2.0L,
FORD FOCUS 2012 TODOS, FOCUS 05-12
L4-2.0L, FOCUS 03-07 L4-2.3L, FORD FUSION
06-09 L4-2.3L, FUSION 10-12 L4-2.5L, FORD
RANGER 01-11 L4-2.3L, FORD TRANSIT 10-12
L4-2.0L, LINCOLN MKZ 11-12 L4-2.5L, MAZDA3
04-05 L4-2.0L, L4-2.3L, MAZDA 3 07-12
L4-2.3L, MAZDA 5 06-07 L4-2.3L, MAZDA 6
03-08 L4-2.3L, MAZDA 6 03-08 L4-2.3L,
MAZDA 6 09-12 L4-2.5L, MAZDA B2300 01-10
L4-2.3L, MAZDA CX-7 07-11 L4-2.3L, MAZDA
TRIBUTE 05-06 L4-2.3L, TRIBUTE 2008
L4-2.3L, TRIBUTE 09-11 L4-2.5L, MERCURY
MARINER 05-08 L4-2.3L, MARINER 09-11
L4-2.5L, MERCURY MILAN 06-09 L4-2.3L,
MILAN 10-11 L4-2.5L AW4126, P9216, HQ-F170



\$224.40



5%
DESCUENTO

F59Z-8501A
B59852

BOMBA DE AGUA FORD
AEROSTAR 95-97 V6 3.0L,
RANGER 95-08 V6 3.0L
AW4095, P983, HQ-F174



\$443.30

P994
B09943

BOMBA DE AGUA FORD
CONTOUR DOHC L4 2.0L 122
96-00; ESCORT DOHC L4 2.0L
122 97-99; ESCORT ZX2 L4
2.0L 122 98-01; FOCUS LX, SE
L4 2.0L 122 00-02; FOCUS ZX3
L4 2.0L 122 2002; MYSTIQUE
L4 2.0L 122 98-00. P-994
B-994 CP4115 AW4115



AW6023
B60231

BOMBA DE AGUA FORD EDGE
V6 3.5L 07-10, FUSION V6 3.5L
10-12, LINCOLN MKS V6 3.5L
2010, MKS V6 3.7L 09-10, MKT V6
3.5 / 3.7L 2010, MKX V6 3.5L
07-10, MKZ V6 3.5L 07-12,
MAZDA 6 V6 3.7L 09-14, CX-9 V6
3.5L 2007, CX-9 V6 3.7L 08-11,
MERCURY SABLE V6 3.5L 08-09.
125-9060 31-23207 43316
WP-1983 WP4198



\$427.90

P992
B41228

BOMBA DE AGUA FORD
ECONOLINE WAGON V8 4.6L
281 2004; EXPEDITION V8
4.6L 281 97-02 Y V8 5.4L 330
97-02; EXPLORER V8 4.6L 281
96-98; F-250 FI TRITON V8
4.6L 281 98-04; F-350 TRITON
V8 5.4L 330 99-04; LOBO V8
4.6L 281 97-04; LINCOLN
NAVIGATOR V8 5.4L 330
98-03. P-992 CP4122 AW4122



\$368.50

P4099
B40997

BOMBA DE AGUA FORD
F-150 L6 4.9L 300 95-97;
F-350 L6 4.9L 300 95-96;
SUPER DUTY VAN E100, 350,
F100 F350 P-4099 B-991
(4099) CP4099 AW4099



\$533.50

P4107
B41041

BOMBA DE AGUA FORD
ESCORT 2.0L 97-01. P-4107
AW4107



\$349.80



5%
DESCUENTO

P9422

B94225

BOMBA DE AGUA FORD ESCAPE 10-09 6CIL 3.0L P-9422 AW6250.



\$270.60

AW6006

B85664

BOMBA DE AGUA FORD F-150 6.2L 11 -14; F-150 SVT RAPTOR 6.2L 10-14; F-250 SUPERDUTY 6.2L 11-15; F-350 SUPER DUTY 11-15. AL3E-8501-DB



\$383.90

AW2090

B29727

BOMBA DE AGUA FREIGHTLINER ARGOSY 6CIL 14.0L 99-02, CENTURY CLASS 6CIL 14.0L 97-02, CLASSIC 6CIL 14.0L 01-02, CLASSIC XL 6CIL 14.0L 01-02, COLUMBIA 6CIL 14.0L 01-02, FLD120 6CIL 14.0L 2003, INTERNATIONAL 2554 6CIL 14.0L 99-00, 2574 6CIL 14.0L 91-02, 2654 6CIL 14.0L 99-00, 2674 6CIL 14.0L 91-02, 5000 6CIL 14.0L 91-99, 55001 6CIL 14.0L 00-02, 56001 6CIL 14.0L 00-02, 59001 6CIL 14.0L 00-02, 8100 6CIL 14.0L 95-99, 8200 6CIL 14.0L 91-97, 8300 6CIL 14.0L 91-94, 9300 6CIL 14.0L 91-98, 9400 6CIL 14.0L 91-99, 9600 6CIL 14.0L 91-96.



\$1,216.60

AW6144

B44610

BOMBA DE AGUA FORD E-150 8CIL 4.6L 07-09, E-250 8CIL 4.6L 07-09, E-350 SUPER DUTY 10CIL 6.8L 11-13, E-450 SUPER DUTY 10CIL 6.8L 11-13, EXPEDITION 8CIL 5.4L 07-08, F-150 8CIL 4.5 / 5.4L 07-08, F-250 SUPER DUTY 10CIL 6.8L 2010, F-350 SUPER DUTY 10CIL 6.8L 2010, F-450 10CIL 6.8L 10-13, F53 10CIL 6.8L 2009 / 11-13, F-550 SUPER DUTY 10CIL 6.8L 09-13, LINCOLN MARK LT 8CIL 5.4L 07-08.



\$636.90

AW6701

B67013

BOMBA DE AGUA FORD F-150 PLATINUM, KING, LARIAT, LT, RANCH, XL, FX 5.0L V8 14-16; MUSTANG GT BOSS 5.0L V8 12-15. BR3E-8501 LA A-16204.



\$682.00

AW2091

B52910

BOMBA DE AGUA FREIGHTLINER ARGOSY 6CIL 10.8L 99-02, CENTURY CLASS 6CIL 10.8L 97-02, FL112 6CIL 12.0L 2000 / 2002, FL112 6CIL 10.0L 2002, FL112 6CIL 10.8L 96-00 / 2002, FLC112 6CIL 10.8L 94-97, FLD112 6CIL 12.0L 1999, INTERNATIONAL 2574 6CIL 10.0L 91-98, 2674 6CIL 10.0L 91-98, 5000 6CIL 10.0L 91-98, 8100 6CIL 10.0L 91-98, 8200 6CIL 10.0L 91-97, 8300 6CIL 10.0L 91-94, 9300 / 9400 / 9600 / 9700 6CIL 10.0L 91-94, KENWORTH C500 6CIL 10.8L 1996 / 1998, K100E 6CIL 10.8L 96-98, T400 6CIL 10.8L 94-97, T450 6CIL 10.8L 94-96, T600A 6CIL 10.8L 95-97, T800 6CIL 10.8L 95-97, W900 6CIL 10.8L 94-97, PETERBILT 320 6CIL 10.8L 96-97, 357 6CIL 10.8L 96-97, 362 6CIL 10.8L 95-97, 375 6CIL 10.8L 94-95, WHITE / GMC ACL 6CIL 10.8L 94-95, WAH 6CIL 10.8L 1995, WHR / WIA 6CIL 10.8L 1994. 3803403, 3800737, 4955705, 4972853, 4 9 2 6 5 5 3 .



\$1,296.90

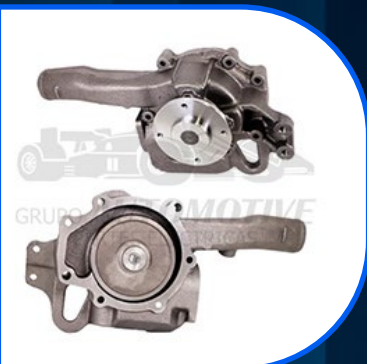


5%
DESCUENTO

AW2126

B27265

BOMBA DE AGUA
FREIGHTLINER FL50 4CIL 4.3L
01-03, FL60 4CIL 4.3L 00-04,
FL70 4CIL 4.3L 00-03, FS65
4CIL 4.3L 02-05, STERLING
TRUCK ACTERRA 4CIL 4.3L
2003, ACTERRA 5500 / 6500 /
7500 4CIL 4.3L 01-03.



\$1,243.00

19200-PNA-003

B19202

BOMBA DE AGUA HONDA
CR-V 2.0L 02-07, ACCORD
2.0L 06-09, CIVIC 03-04,
HQ-H119 P9313



\$319.00

P-115

B71150

BOMBA DE AGUA HONDA
CIVIC 1.3L 03-11 HYBRID.
AW6216.



\$325.60

19200-RAD-003

B92039

BOMBA DE AGUA HONDA
ACCORD 2.4L 02-03, CRV
07-09. HQ-H118 P9314.



\$319.00

MBA109050

B10905

BOMBA DE AGUA HONDA CR-V EX 1.5L
4CIL 17-20, CR-V EX-L 1.5L 4CIL 17-20, CIVIC
EX-L 1.5L 4CIL 17-20, CR-V TOURING 1.5L
4CIL 17-20, CR-V SPORT 1.5L 4CIL 2020,
CR-V TURBO 1.5L 4CIL 2020, CIVIC EX-T 1.5L
4CIL 16-20, CIVIC TOURING 1.5L 4CIL 16-20,
CR-V TURBO PLUS 1.5L 4CIL 17-20, CIVIC
TURBO 1.5L 4CIL 16-20, CIVIC Si 1.5L 4CIL
17-20, CIVIC SPORT 1.5L 4CIL 17-20, CIVIC
SPORT TOURING 1.5L 4CIL 17-20, CIVIC
TURBO 1.5L 4CIL 2017, CIVIC TURBO PLUS
1.5L 4CIL 17-20, ACCORD EX 1.5L 4CIL 18-20,
ACCORD EX-L 1.5L 4CIL 18-20, ACCORD LX
1.5L 4CIL 18-20, ACCORD SPORT 1.5L 4CIL
18-20, ACCORD SPORT PLUS 1.5L 4CIL
18-20, ACCORD TOURING 1.5L 4CIL 18-1P,
ACCORD SE 1.5L 4CIL 2020.



\$355.30

19200-59B-003

B59034

BOMBA DE AGUA HONDA CIVIC
4CIL 1.5L 16-18, CR-V 4CIL 1.5L
17-18. US8145



\$346.50

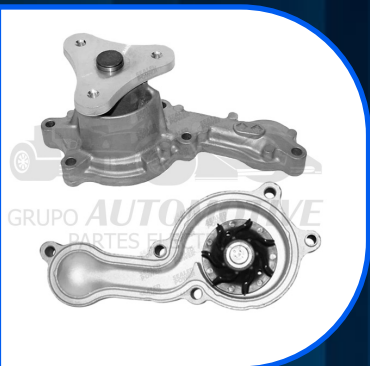


5%
DESCUENTO

P2059

B20598

BOMBA DE AGUA
HONDA FIT 2008-2007
4CIL 1.5L P-2059
AW6018



\$262.90

19200-5R0-003

B92536

BOMBA DE AGUA
HONDA FIT 4CIL 1.5L
15-20. US8119.



\$352.00

AW6233

B62339

BOMBA DE AGUA
ACURA TSX 4CIL 2.4L
09-14, HONDA ACCORD
4CIL 2.4L 08-12, CR-V
4CIL 2.4L 10-11. 135-1620
31-19140 WP-2196.



\$281.60

AW6350

B50636

BOMBA DE AGUA HONDA FIT
4CIL 1.5L 09-14

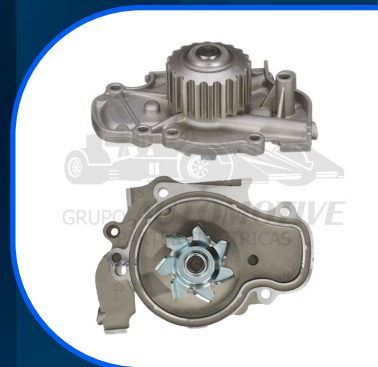


\$249.70

P2346

B23466

BOMBA DE AGUA ACURA CL
97-99, HONDA ACURA CL
90-94, ODYSSEY 95-98,
PRELUDE 92-96. P-2346
AW9209



\$227.70

AW6039

B39601

BOMBA DE AGUA ACURA MDX 6CIL
3.0L 17-18, MDX 6CIL 3.5L 03-06 /
14-18, MDX 6CIL 3.7L 07-13, RDX 6CIL
3.5L 13-18, RL 6CIL 3.5L 05-08, RL
6CIL 3.7L 09-12, RLX 6CIL 3.5L 14-18,
TL 6CIL 3.2L 04-08, TL 6CIL 3.5L
07-14, TL 6CIL 3.7L 9-14, HONDA
ACCORD 6CIL 3.0L 03-07, ACCORD
6CIL 3.5L 08-17, ACCORD
CROSSTOUR 6CIL 3.5L 10-11,
ODYSSEY 6CIL 3.5L 05-18, PILOT
6CIL 3.5L 05-18. WP-9363.



\$370.70



5%
DESCUENTO

P2455
B24558

BOMBA DE AGUA
HONDA ACCORD (3.0L)
98-03 P-2455 AW9383



\$383.90

P2459
B24590

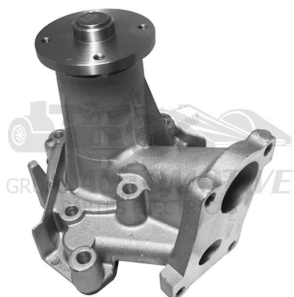
BOMBA DE AGUA HONDA
CIVIC (1.6L) 1996-2000
P-2459 AW9352



\$243.10

P2171
B18558

BOMBA DE AGUA
HYUNDAI H-100 2006
-2011 4CIL. 2.5L Diesel
P-2171 AW1855



\$433.40

AW6740
B67406

BOMBA DE AGUA HONDA
ACCORD 4CIL 2.4L 13-17, CR-V
4CIL.2.4L.15-19.WP2639 US8103
US8118 135-1640 135-3040
19200-RDF-A01 19200-5A2-A01
19200-5LA-A01.



\$357.50

AW6056
B60565

BOMBA DE AGUA HONDA
CIVIC 4CIL 1.8L 06-11.
135-6980 31-19137 41196
WP-2058 WP246.



\$248.60

25100-2E000
B25269

BOMBA DE AGUA
HYUNDAI ELANTRA 4CIL
1.8L 11-16, ELANTRA 4CIL
2.0L 14-19, TUCSON 4CIL
2.0L 14-18, KIA FORTE 4CIL
1.8L 2.0L 14-16, SOUL 4CIL
2.0L 12-18. 41094 US8106
131-2429.



\$249.70



5%
DESCUENTO

AW6247

B62472

BOMBA DE AGUA HYUNDAI
ACCENT 4CIL 1.6L 12-18,
ELANTRA 4CIL 1.6L 17-20,
ELANTRA GT 4CIL 1.6L 18-20,
SONATA 4CIL 1.6L 15-18,
TUCSON 4CIL 1.6L 16-18, KIA
FORTE 4CIL 1.6L 14-17, OPTIMA
4CIL 1.6L 16-17, RIO 4CIL 1.6L 12-17,
SOUL 4CIL 1.6L 10-19. WP2221
US6247 146-7420 251002B000
2 5 2 2 1 2 B 0 0 0 .



\$238.70

AW6699

B66998

BOMBA DE AGUA JEEP
WRANGLER V6 3.6L 12-19,
WRANGLER JK V6 3.6L 2018.
120-4500 31-52149 WP2472



\$722.70

AW6295

B62954

BOMBA DE AGUA MAZDA 2
4CIL 1.5L 11-15. 145-1570
31-15128 WPZ-801 WP-2195

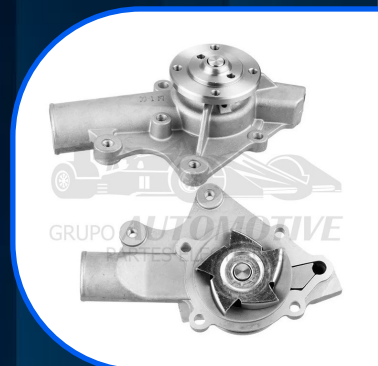


\$322.30

P886

B08864

BOMBA DE AGUA HONDA
ACCORD 4CIL 2.4L 13-17, CR-V
4CIL 2.4L 15-19. WP2639
US8103 US8118 135- 1640
135-3040 19200-RDF -A01
19200- 5A2-A01 19200- 5LA-A01.

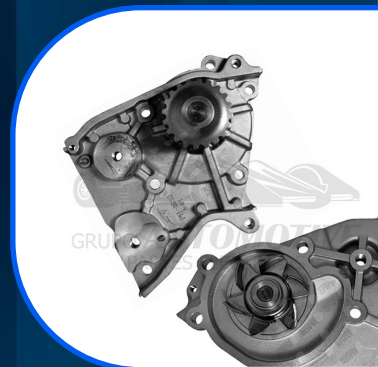


\$411.40

P891

B08911

BOMBA DE AGUA MAZDA
B2200, MX6 2.2L B-891
CP4053 AW4053



\$270.60

AW6700

B26728

BOMBA DE AGUA MAZDA 3 /
3 SPORT 4CIL 2.0L 12-18,
MAZDA 3 / 3 SPORT 4CIL 2.5L
14-18, MAZDA 6 4CIL 2.5L 14-17,
CX-3 4CIL 2.0L 16-18, CX-5 4CIL
2.0L 13-16, CX-5 4CIL 2.5L 14-18,
CX-9 4CIL 2.5L 16-17, MX-5
MIATA 4CIL 2.0L 16-20, TOYOTA
YARIS 4CIL 1.5L 17-19. WP2437
US6700 P51B15010B 951B15100B
PE0115010 PEDD15010.



\$361.90



5%
DESCUENTO

2702000000
B27223

BOMBA DE AGUA MERCEDES
BENZ CLA250 4CIL 2.0L 14-19,
GLA250 4CIL 2.0L 15-20.
131-2551.



\$2,482.70

P2258
B22581

BOMBA DE AGUA MERCURY
VILLAGER V693-98 ; NISSAN
QUEST V6 3.0L 2960CC
97-98; MAXIMA 85-94. B-2258
P-2258 CP9074 AW9074



\$249.70

21010-3TA0B
B21314

BOMBA DE AGUA NISSAN
INFINITI QX60 4CIL 2.5L
14-16, NISSAN ALTIMA 4CIL
2.5L 13-18, MURANO 4CIL
2.5L 2016, PATHFINDER 4CIL
2.5L 14-15, ROGUE 4CIL 2.5L
14-19. WPN-709 150-2540
US8105.



\$352.00

2742000301
B74235

BOMBA DE AGUA
MERCEDES BENZ C-CLASS
08-14, GLK 13-15.B-1407,
2742000601



\$2,482.70

10245065
B45069

BOMBA DE AGUA MG ZS
2021-2022.



\$288.20

AW6198
B61980

BOMBA DE AGUA INFINITI
FX35 V6 3.5L 07-08, G25 V6
2.5L 11-12, JX35 V6 3.5L 2013,
M35 V6 3.5L 07-08, QX60 V6
3.5L 14-16, NISSAN ALTIMA V6
3.5L 07-18, MAXIMA V6 3.5L
09-21, MURANO V6 3.5L 2007 /
2009, PATHFINDER V6 3.5L
13-16, QUEST V6 3.5L 11-17.
WP-2140 US6198 P214
150-2020 V1010KK00A
21010JA10A.



\$281.60



5%
DESCUENTO

AW6242

B62427

BOMBA DE AGUA NISSAN FRONTIER 4CIL 2.5L 05-18, SUZUKI EQUATOR 4CIL 2.5L 09-12. 150-2400 31-21152 41193 WP1561 WP-2238.



\$279.40

21010-50A11

B50112

BOMBA DE AGUA NISSAN 310 L4 1982; PULSAR L4 83-88; TSURU I, II, III 84-94 8 VALVULAS B11, B12, B13 16041 21010-50A28 GWN-49 A 09-601016 21010- B17G2 21010-B17G0 AW-9284 P2197



\$205.70

21010-21025

B21254

BOMBA DE AGUA NISSAN DATSUN 720, ICHIVAN, STANZA, DATSUN SEDAN 21010-21027 GWN-03A 09-601002 MOTOR 1600 Y 1800 P2042



\$227.70

AW1931

B19316

BOMBA DE AGUA NISSAN VERSA S, SPLUS, SV, SL 1.6L 4CIL 12-15; VERSA NOTE S, S PLUS, SV 1.6L 4CIL 14-15; MARCH 1.6L 4CIL 13-15. 21010-3HC0A A-1121



\$202.40

21010-3RC1A

B33118

BOMBA DE AGUA NISSAN SENTRA FE-XV, SR, SL, SV, S 1.8L 4CIL 13-18, SENTRA 4CIL 1.6L 17-18. A-11218 WPN117 150-2440 AW6749 WP-2614.

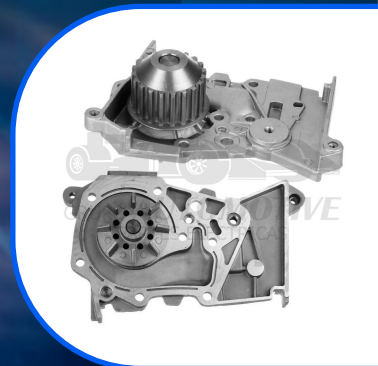


\$341.00

P1641

B16419

BOMBA DE AGUA NISSAN PLATINA DOHC 16VALV L4 1.6L 1600CC 02-05; RENAULTO CLIO L4 1.6L 1600CC 02-04; KANGOO L4 1.6L 1600CC 02-05. P-1641 CP1641 AW1641



\$276.10



5%
DESCUENTO

P2147
B21473

BOMBA DE AGUA NISSAN
PICK UP 520, 620 (C/ Fan
Clutch Integrado) P-2147
AW9031



\$728.20

21010-F46001
B21460

BOMBA DE AGUA NISSAN
NISSAN SENTRA B15 01-05;
ALMERA 2004 4CIL. 1.8L
AW9416 P9416



\$227.70

AW9427
B94270

BOMBA DE AGUA NISSAN
ALTIMA BASE, HIBRIDO, S, SL
4CIL 2.5L 05-09; SENTRA
2.5S, LE, SE-R, 4CIL 2.5L
05-06; XTRAIL, ROGUE 4CIL
2.5 Y 3.5L 05-09. 21010-F461A
A-11212



\$276.10

P2198
B21984

BOMBA DE AGUA NISSAN 200SX
95-98, SENTRA 96-00 1.6L 16V,
TSURU 91-97 4CIL, LUCINO L4 1.6L
1600CC 96-00, SENTRA 16V L4 1.6L
1600CC 1992, SENTRA GSX 16V L4
1.6L 1600CC 96-00, SENTRA GXT 16V
L4 1.6L 1600CC 96-04, TSUBAME 16V
L4 1.6L 1600CC 93-04, TSURU II GS
16V L4 1.6L 1600CC 88-91, TSURU II
GST 16V L4 1.6L 1600CC 88-91,
TSURU II GSX 16V L4 1.6L 1600CC
88-91, TSURU III 16V L4 1.6L 1600CC
92-06, ALMERA 95-00 4CIL. 1.6L
CP9214 AW9214 P2198/2386
21010-53Y01 21010-F4300



\$224.40

AW9426
B26947

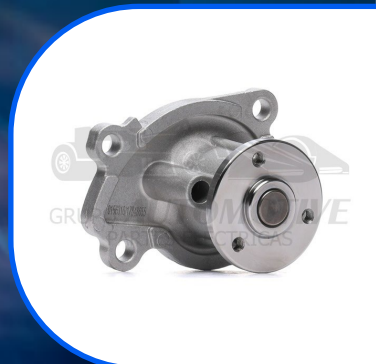
BOMBA DE AGUA NISSAN
ALTIMA LE, OFF ROAD, S, SE,
SE-R. SL 6CIL 3.5L 02-06;
MAXIMA 03-06 6CIL 3.5L;
MURANO 03-06 6CIL 3.5L;
QUEST LE. OFF ROAD, SL 6CIL
3.5L 04-06; FRONTIER LE, OFF
ROAD, S, SE, 05-07 6CIL 4.0L;
PATHFINDER LE, OFF ROAD,
SE-R, SL, X, 6CIL 4.0L 05-06;
XTERRA LE, SS, SE, SE OFF
ROAD, SE-R, SL, X 6CIL 4.0L
05-06. A 11211 21010-7Y00A



\$287.10

21010-ED025
B10250

BOMBA DE AGUA NISSAN
MARCH 160 SR, TIIDA 07-09
HQ-N177 P2373



\$205.70



5%
DESCUENTO

P2347

B23479

BOMBA DE AGUA NISSAN 240SX L4 2.4L 2400CC 89-98, D-21 2.4L 96-05, ESTACAS L4 2.4L 2389CC 95-01, FRONTIER L4 2.4L 2389CC 98-05, ICHIVAN L4 2.4L 2400CC 92-94, KING CAB L4 2.4L 2400CC 97-02, PICK UP L4 2.4L 2400CC 90-05, URVAN L4 2.4L 2400CC 02-08, SENTRA 2.0L 96-01. XTERRA 00-04 L4 2.4L P-2347 CP9206 AW9206 41162 77020200 21010-86G00

\$238.70

AW6218

B32186

BOMBA DE AGUA NISSAN NV200 S, SV, TAXI 2.0L 4CIL 14-15; SENTRA S, SL, SR, BASE 23.0L 4CIL 07-12; TIIDA / VERSA S, SL, SV 1.6L 4CIL, 1.8L 4CIL 07-12. 21010-31M0A A-11216

\$287.10

P2149

B21499

BOMBA DE AGUA PEUGEOT 206, 208, RCZ, 3008 08-12 1.6L 4CIL, MINI COOPER 07-15 4CIL 1.6L, MINI COOPER COUNTRYMAN 4CIL 1.6L 11-16, MINI COOPER PACEMAN 4CIL 1.6L 13-16. P-2149 AW6244

\$283.80

AW9488

B94882

BOMBA DE AGUA NISSAN NV2500 S, SV V8 5.6L 12-16; PATHFINDER LE SPORT V8 5.6L 08-12; TITAN ALL V8 5.6L 04-12; FX50 INFINITI BASE SPORT V8 5.6L 09-12; M56 BAE, SEDAN, X SEDAN V8 5.6L 11-12; QX56 BASE SPORT V8 5.6L 04-12; ARMADA V8 5.6L 05-12; NV3500 S, SV V8 5.6L 12-16 21010-7S000 A-11214.



\$330.00

P695

B91049

BOMBA DE AGUA NISSAN PATHFINDER V6 3.0L 2960CC 87-96; PICK UP D21 V6 3.0L P695 CP9104 AW9104



\$389.40

P-2482

B48160

BOMBA DE AGUA PEUGEOT 206 4CIL 1.6L 01-09; 207 4CIL 1.6L 08-10; GRAND RAID 4CIL 1.6L 07-09; PARTNER 4CIL 1.6L 04-09. 156-9002 P852 US8937.



\$211.20



5%
DESCUENTO

P1903
B19038

BOMBA DE AGUA SEAT LEON
2009-2007 4CIL 2.0 L P-1903
P-2031 AW1703



\$249.70

P2176
B21765

BOMBA DE AGUA TOYOTA 4
RUNNER 85-95 L4 2.4L
B-2176 CP9141 AW9141



\$292.60

16100-09340
B16101

BOMBA DE AGUA TOYOTA
RAV 4 2.2L 02-12 HQ-T223
AW9414



\$227.70

AW6292
B92625

BOMBA DE AGUA SUZUKI
GRAND VITARA 4CIL 2.4L
09-13, KIZASHI 4CIL 2.4L 10-13,
SX4 4CIL 2.0L 10-13, SX4
CROSSOVER 4CIL 2.0L 2012.
165-2100 WPS-800 WP-2465



\$676.50

TR0010
B27119

BOMBA DE AGUA TOYOTA
HIACE GASOLINA L4 2.7L
2006-2011; T100 L4 2.7L
94-98; TACOMA L4 2.4L
95-04, L4 2.7L 95-12.



\$374.00

P1891
B18912

BOMBA DE AGUA TOYOTA
RUSH AVANZA 10-09 4CIL
1.5L P-1891 AW1684



\$243.10



5%
DESCUENTO

AW6037
B60375

BOMBA DE AGUA TOYOTA
4RUNNER V6 4.0L 03-09, FJ
CRUISER V6 4.0L 07-09,
TACOMA V6 4.0L 05-15, TUNDRA
V6 4.0L 05-11. WP-1981 US6037
P1981 170-3940 1610009470
1610039405



\$638.00

AW6197
B61977

BOMBA DE AGUA TOYOTA
LAND CRUISER V8 5.7L 08-11 /
13-19, SEQUOIA V8 5.7L 08-19,
TUNDRA V8 5.7L 07-19, LEXUS
LS570 V8 5.7L 08-11 / 13-19.
170-4000 31-36176 42290
WP-2137



\$531.30

AW6351
B63519

BOMBA DE AGUA TOYOTA
COROLLA 4CIL 1.8L 09-19,
MATRIX 4CIL 1.8L 09-13.
170-7480, 41033 WP-2281
1600-480087.



\$363.00

AW6047
B60476

BOMBA DE AGUA TOYOTA
AVALON V6 3.5L 05-18, CAMRY
V6 3.5L 07-17, HIGHLANDER V6
3.5L 08-17, RAV-4 V6 3.5L 06-12,
SIENNA V6 3.5L 08-18, LEXUS
ES350 V6 3.5L 07-18. 170-7370
31-36177 WP2186.



\$455.40

AW6252
B62529

BOMBA DE AGUA TOYOTA
CAMRY 4CIL 2.5L 08-19,
HIGHLANDER 4CIL 2.7L
09-19, RAV4 4CIL 2.5L 09-19,
SIENNA 4CIL 2.7L 11-13.
170-4010 31-36180 WP-2251



\$383.90

AW1685
B85167

BOMBA DE AGUA TOYOTA
YARIS 4CIL 1.3L 03-06.
1610009140 1610029125 P1892.



\$233.20



5%
DESCUENTO

AW6682
B82665

BOMBA DE AGUA TOYOTA PRIUS 1.8L 10-15 HYBRID/ELECTRONIC, PRIUS 4CIL 1.8L 10-15, PRIUS C 4CIL 1.5L 12-19, PRIUS V 4CIL 1.8L 12-17.



\$2,348.50

P2030
B93774

BOMBA DE AGUA VOLKSWAGEN JETTA A4 4CIL 2.0L 99-07; BEETLE,GOLF,PASSAT L4 2.0L 99-07, BEETLE TURBO L4 1.8L 1781CC 99-05; DERBY L4 2.0L 1984CC 02-04; GOLF GTI TURBO L4 1.8L 1781CC 00-04; GOLF A4 CABRIO L4 2.0L 1984CC 00-05; JETTA A4 TURBO L4 1.8L 1781CC 02-05; PASSAT TURBO L4 1.8L 1781CC 02-05; POINTER SEDAN Y PICK UP L4 1.8L 1781CC 99-03; POINTER STATION WAGON L4 1.8L 1781CC 98-05; POINTER GTI L4 2.0L 00-06, POLO L4 1.8L 1781CC 03-05, POLO 2.0L 03-08,GOLF,JETTA A3 2.0L, SHARAN TURBO L4 1.8L 1781CC 02-05; AUDI A3 TURBO L4 1.8L 1800CC 99-05; AUDI A4 TURBO L4 1.8L 1800CC 98-05, AUDI 1.8L 97-98,SEAT ALHAMBRA L4 1.8L 1800CC 00-02; CORDOBA L4 2.0L 2000CC 03-07; IBIZA TURBO L4 1.8L 1800CC 2005; IBIZA L4 2.0L 200CC 03-04; LEON TURBO L4 1.8L 1800CC 01-04; TOLEDO TURBO L4 1.8L 1800CC 01-04. A6A 121 011B P-2030 CP9377 AW9377



\$245.30

06H 121 026 BA
B61218

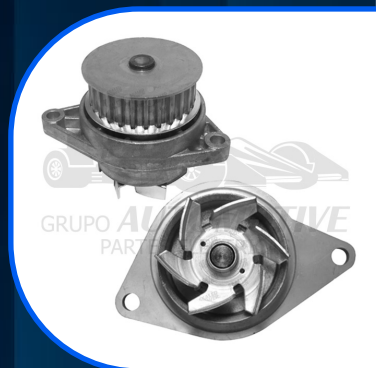
BOMBA DE AGUA VOLKSWAGEN JETTA GLI 06-14 1.8 TSI / 2.30TSI, Golf GTI 10-14 2.0TSI, PASSAT 08-15 1.8TSI / 2.0TSI, PASSAT CC 09-12 1.8TSI / 2.0TSI, CC 09-15 1.8TSI / 2.0TSI, EOS 09-15 2.0TSI, TIGUAN 09-15 1.8TSI / 2.0TSI, AUDI A3 / S3 08-13 1,8 T/2,0 T, A4 09-15 1,8 T/2,0 T, A4 Allroad 10-15 2,0 T, A5 09-15 1,8 T/2,0 T, A6 12-14 2,0 T, Q3 12-15 1,8 T/2,0 T, Q5 09-15 2,0 T, TT / TT Quattro 07-14 1,8 T/2,0 T.



\$871.20

P2010
B15301

BOMBA DE AGUA SEAT CORDOBA 4CIL 1.6L 04-06, CORDOBA 4CIL 1.6L 08-09, IBIZA 4CIL 1.6L 05-09, LEON 4CIL 1.4L 2008, VOLKSWAGEN CROSSFOX 4CIL 1.6L 2017, CROSSFOX 4CIL 1.6L 07-09, GOL 4CIL 1.6L 09-13, GOL 4CIL 1.6L 16-18, GOL SEDAN 4CIL 1.6L 2011, LUPO 4CIL 1.6L 05-09, POLO 4CIL 1.6L 03-07, SAVEIRO 4CIL 1.6L 15-17, SPORTVAN 4CIL 1.6L 07-10. P-2010 AW1530 030121005N, 376800061



\$245.30

P-2067
B52674

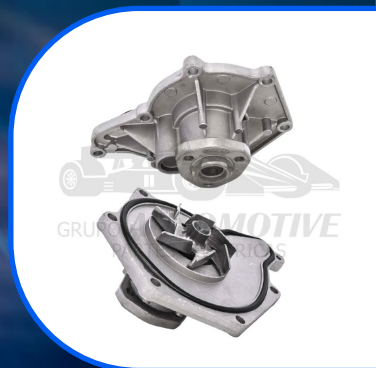
BOMBA DE AGUA VOLKSWAGEN BEETLE 5CIL 2.5L 06-17; BORA 5CIL 2.5L 05-10; CRAFTER 5CIL 2.5L 08-11; GOLF 5CIL 2.5L 10-14; JETTA 5CIL 2.5L 05-17; PASSAT 5CIL 2.5L 12-17. 131-2383 41191 PW17-735 WP813 180-9070 07K121011B WP2067 US6050.



\$287.10

P2094
B20949

BOMBA DE AGUA VOLKSWAGEN AUDI A4 A6 Q7 S4 TOUAREG 12-05 V6 3.0 3.2L P-2094 AW6146



\$254.10



5%
DESCUENTO

www.automotive.com.mx

AW6221
B62240

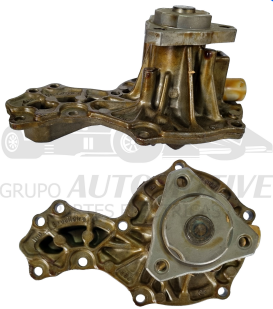
BOMBA DE AGUA VOLKSWAGEN CC V6 3.6L 09-17, PASSAT V6 3.6L 06-10, 12-17, PASSAT CC V6 3.6L 09-10, TOUAREG V6 3.6L 07-10, AUDI Q7 V6 3.6L 07-10, PORSCHE CAYENNE V6 3.6L 08-10. 180-2290 022121011A



\$250.80

026 121 019.1
B50008

BOMBA DE AGUA BRIDA GRANDE VOLKSWAGEN CARIBE, ATLANTIC, GOLF A2, JETTA A2 AW9065



\$194.70

P2466
B24662

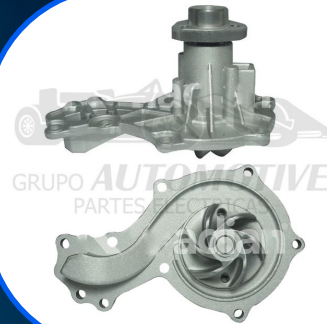
BOMBA DE AGUA VOLKSWAGEN AUDI 902.8L1995 P-2466 AW9333



\$352.00

P2190
B90210

BOMBA DE AGUA VOLKSWAGEN ATLANTIC L4 1.8L 1781CC 85-87; CARAVELLE L4 1.8L 1781CC 89-96; CARIBE L4 1.8L 1781CC 86-87; COMBI L4 1.8L 1781CC 89-01; CORSAR L4 1.8L 1781CC 84-88; DERBY L4 1.8L 1786CC 95-03; GOLF L4 1.8L 1781CC 93-99; GOLF L4 2.0L 1984CC 92-99; JETTA L4 1.8L 1781CC 93-99 Y L4 2.0L 1984CC 93-99; PANEL L4 1.8L 1781CC 89-03; PASSAT L4 2.0L 1984CC 92-93; POINTER L4 1.8L 1781CC 1998. P-2190 B-349 CP9065 AW9065 026 121 005 A 09-6038-02 42261 77020203



\$214.50

070.121.011A
B07014

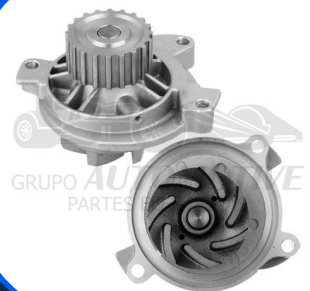
BOMBA DE AGUA VOLKSWAGEN TOUAREG 2.5L TDI, TRANSPORTER V box 03-04. HQ-V135 P2056.



\$590.70

P2492
B24925

BOMBA DE AGUA VOLKSWAGEN EUROVAN (2.5L) 2001-2005, NEW CRAFTER 5CIL 2.5L 08-10 P-2492 AW9274



\$254.10

GRUPO **AUTOMOTIVE**
PARTES ELECTRICAS



PROMOCIÓN VÁLIDA DEL **01 AL 30 DE JUNIO** DEL 2025
PRECIOS + IVA. SUJETOS A CAMBIO SIN PREVIO AVISO. NO APLICA CON OTRAS PROMOCIONES.